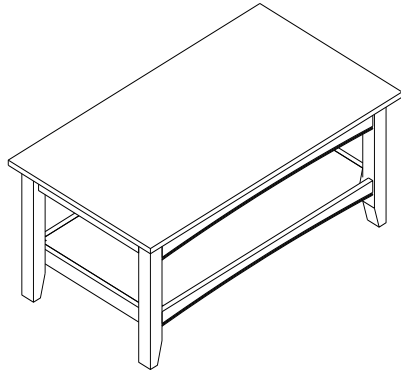


Alaterre Furniture

Shaker Cottage Coffee Table



Thank you for purchasing our Shaker Cottage Coffee Table. **We have found it helpful to have a second person present in at least one step of the assembly.**

Coffee Table Assembly Instructions

Lay out all parts on a "non-abrasive" surface to avoid scratching furniture.

NO.	DRAWING	DESCRIPTION	Q'TY	NO.	DRAWING	DESCRIPTION	Q'TY
A		TOP PANEL	1	D		Hex Bolt M6*45mm	4
B		BOTTOM PANEL	1	E		Hex Bolt M6*35mm	4
C		LEG	4	F		WRENCH	1

PARTS

Step 1

Read through these instructions thoroughly before beginning assembly. We have found this to be of great value when first assembling this product.

Step 2

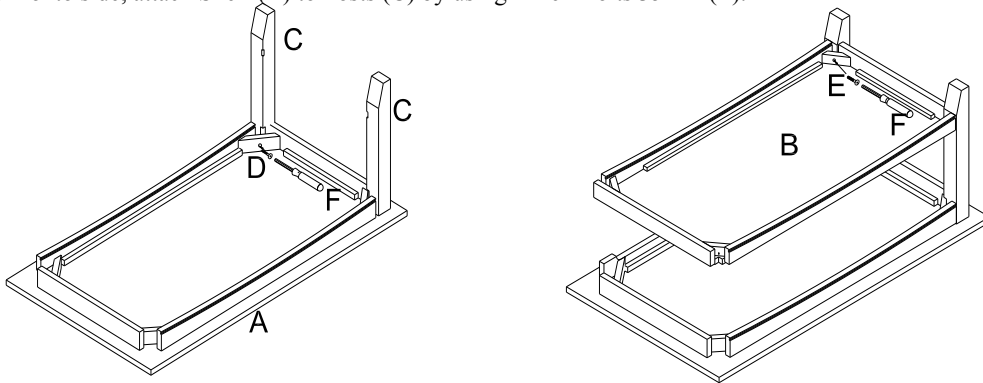
Remove all parts and hardware from packing material. Wooden pieces should be placed on a non abrasive surface (like the carton or carpet) to prevent damage to the finish.

Step 3

Lay Top Unit (A) upside down and attach 2 Posts (C) by using 2 Hex Bolts 45mm (D).

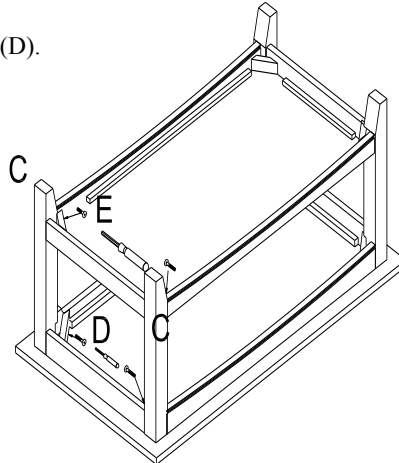
Note: It will help to have a second person at this time to assist in assembly.

Turn onto side, attach Shelf (B) to Posts (C) by using 2 Hex Bolts 35mm (E).



Step 4

Repeat same procedure with other 2 Posts (D).



CARE

Clean with mild soap and wipe dry.

REPLACEMENT PARTS:

For best service, to order replacement parts go to www.alaterrefurniture.com. Use the order form on the web site to order your replacement parts. **Thank You!**